

design 127 x 102 x 97mm  
 dif. reflection sensor sensign range 3.5 to 7m



- ✓ adjustable detection range
- ✓ moving direction depending object detection selectable
- ✓ adjustable sensitivity via push button or optional remote control
- ✓ large operating distance
- ✓ floating relay output with change-over contact
- ✓ adjustable decay time from 0.5 ... 9sec
- ✓ robust and waterproof plastic housing
- ✓ anodized aluminium fixing

**differentiation between vehicles and people**



**description**

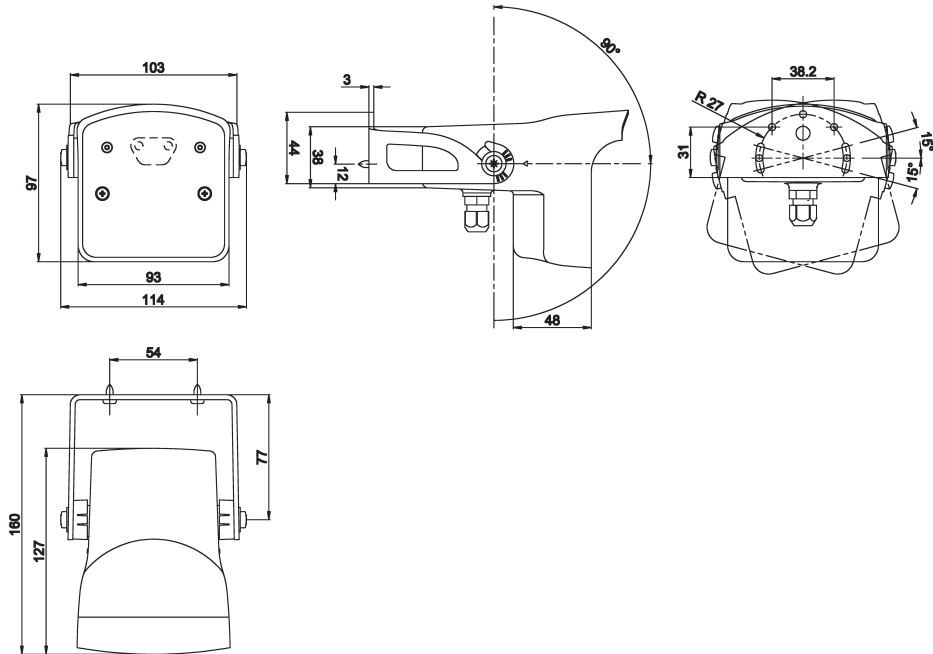
The **RT71** is a diffuse reflection radar sensor that operates at 24.125GHz in the hyper-frequency range. Depending on the device's configuration all moving objects can be detected irrespective of the direction of motion. People can be masked causing the sensor to react to vehicles only. In the past such applications required the laying of induction loops in the ground. The installation expenditure was several times higher and more expensive than using this diffuse reflection radar sensor. The sensor detects very small movements. Nevertheless it is significantly less sensitive to rain and snow than conventional motion sensors.

The relay's decay time can be set between 0.5 and 9sec. Very simple gate controls can be implemented this way without any additional elapsed-time relay. The installation of the radar motion sensor should take place above a gate. All parameters can be programmed either by using the 2 pushbuttons that can be found on the front of the sensor or by using the optional remote control **AR000001**.

**application examples**

- ▶ control of automatic doors and gates
- ▶ alarm systems

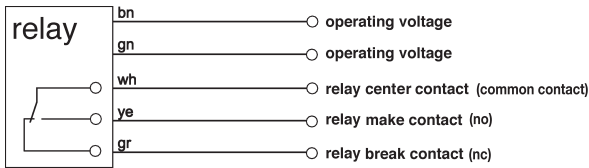
article-no.	RT710900
transmitting frequency	24.125Ghz
operating distance	3.5 ... 7m
output	floating change-over contact 42V AC/DC



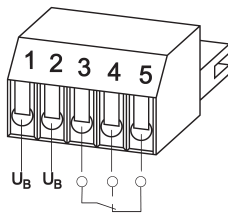
### TECHNICAL DATA

sensing range	3.5 ... 7m
detection range	4 x 5m, installation height 5m
detection mode	movement 5cm/sec
inclination angle	0 ... 180°C
output signal	floating change-over contact 42V AC/DC
operating voltage	12 ... 24V AC ±10% 12 ... 24V DC +30% / -10%
current consumption	2W
output current (max. load)	< 1A
transmitting frequency	24.125GHz
transmitting power	< 20dbm EIRP0, 25mm, density: <5mW/cm²
display (signal)	red LED
sensitivity adjustment	2 pushbuttons, remote control
short-circuit protection	+
reverse polarity protection	+
housing material	ABS, polycarbonate
design	127 x 102 x 97mm
operating temperature	-30 ... +60°C
system of protection (EN 60529)	IP65
connection	cable 10m
accessories	remote control <b>AR000001</b>

### connection



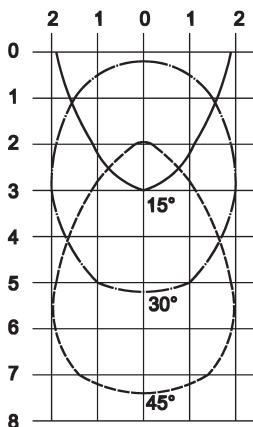
**wire colors:** bn = brown (1), gn = green (2), wh =white (3), ye = yellow (4), gy = grey (5)



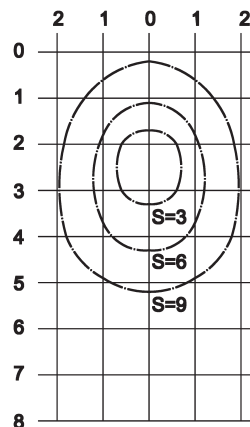
### terminal

- |   |                                       |             |
|---|---------------------------------------|-------------|
| 1 | operating voltage (UB)                | e.g. 24V DC |
| 2 | operating voltage (UB)                | e.g. 0V DC  |
| 3 | relay center contact (common contact) |             |
| 4 | relay make contact (no)               |             |
| 5 | relay break contact (nc)              |             |

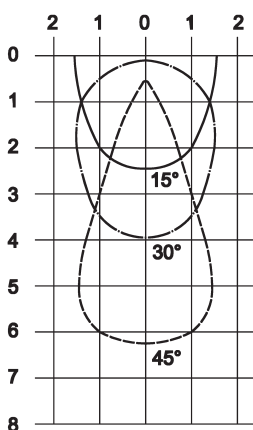
### adjustment of the detection field size



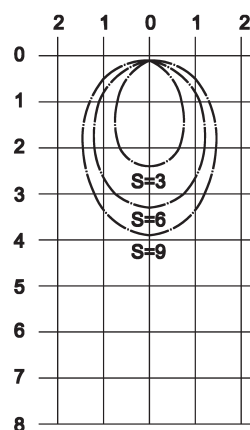
installation height: 5m  
sensitivity: 9  
inclination angle:  
15° —————  
30° - - - - -  
45° - - - - -



installation height: 5m  
sensitivity: 3,6,9  
inclination angle: 30°

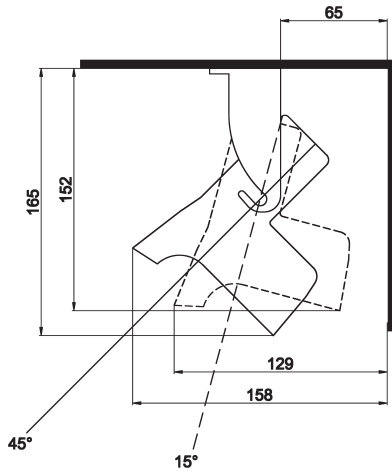


installation height: 3.5m  
sensitivity: 9  
inclination angle:  
15° —————  
30° - - - - -  
45° - - - - -

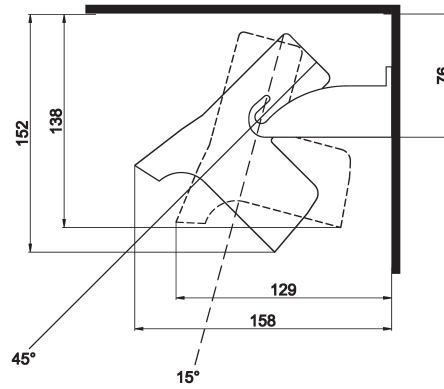


installation height: 3.5m  
sensitivity: 3,6,9  
inclination angle: 30°

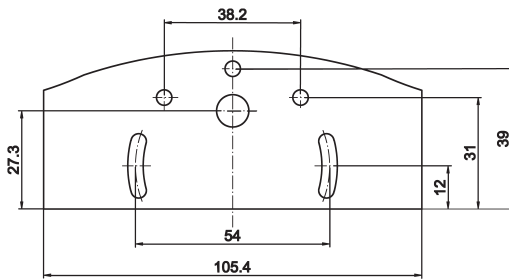
### ceiling mounting



### wall mounting



### fixing design



### ACCESSORIES

article-no.	description
AR000001	remote control

This data sheet contains the standard versions only. Kindly request the availability of other output- and connection functions.

**Warning:** Never use these devices in applications where the safety of a person depends on their functionality.