

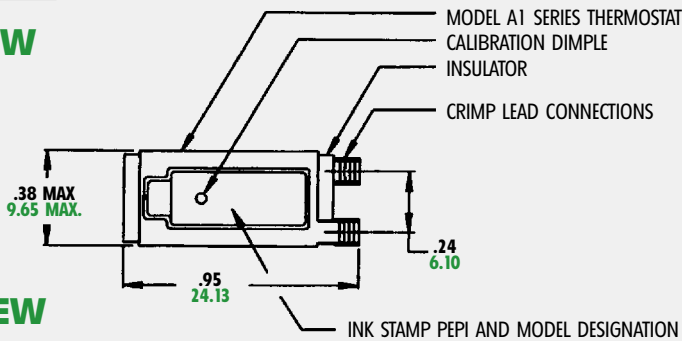
# MODELS A1, AA1, A1R AND AA1R

A creep action thermostat with the lowest contact rating of all Model A Series thermo-stats. Evaluated for use in heating pads and electric blankets.

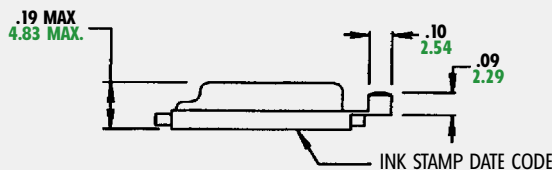


## MODEL A1

### TOP VIEW

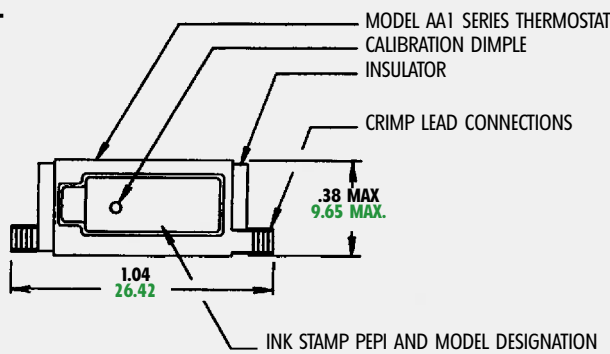


### SIDE VIEW

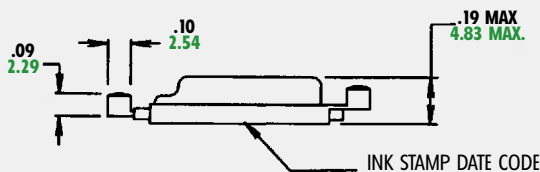


## MODEL AA1

### TOP VIEW



### SIDE VIEW



METRIC DIMENSIONS ARE IN MM (SHOWN IN GREEN)

Copyright 2006, Portage Electric Products, Incorporated, all right reserved

## FEATURES

- Conductive bimetal construction; the bimetallic element carries the circuit current.
- Creep action device; slow make/slow break switching action.
- No built-in differential between the opening and closing temperature.
- Case electrically alive; insulating sleeving is available.
- Preset calibration temperature; not adjustable in the field.
- Available to open circuit on rise of temperature (normally closed), Models A1 and AA1; or closed circuit on rise of temperature (normally open), Models A1R and AA1R
- Available with same end termination, Models A1 and A1R; or opposite end termination, Model AA1 and AA1R.
- Available with factory applied lead wires.

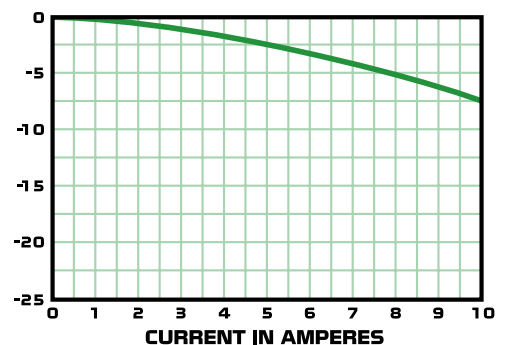
## CONTACT RATINGS

- 1 amp/120 volts AC resistive
- 2 amps/120 volts AC inductive

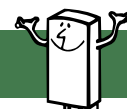
## CALIBRATION TEMPERATURE RANGE

- Available with nominal calibration temperatures from 5°C to 150°C.

## CURRENT DERATING CURVE



*We come through when the heat is on™*



**Pepi®**

Portage Electric Products, Inc.