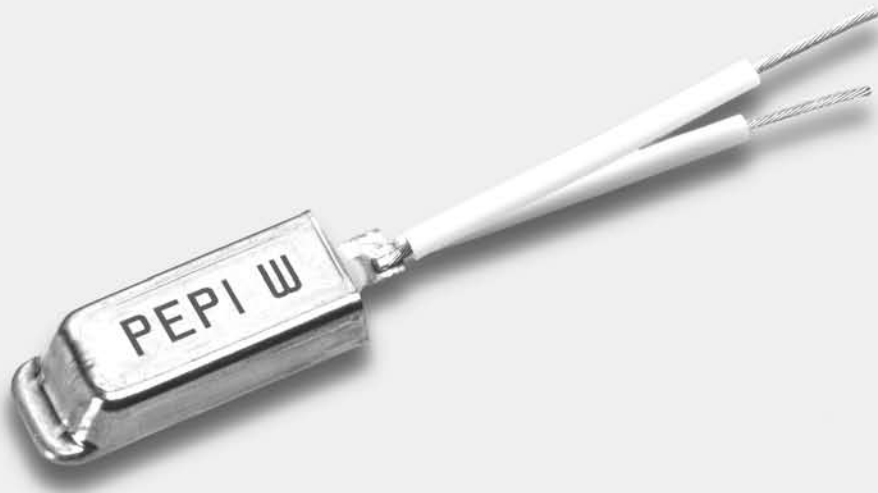
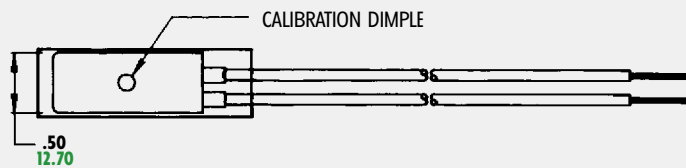


# MODEL W

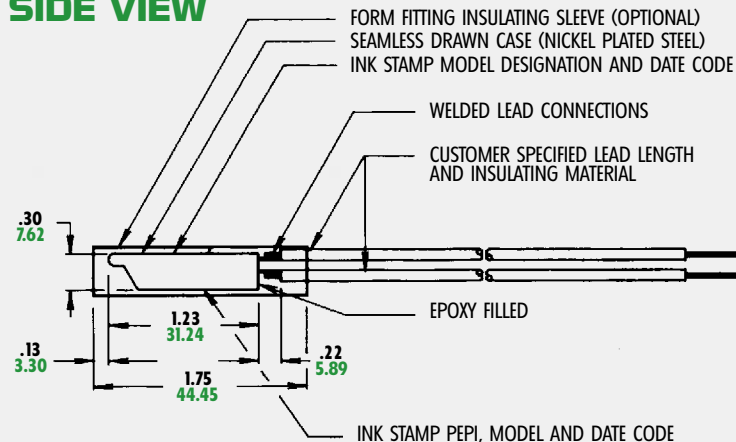


## MODEL W SERIES

### TOP VIEW



### SIDE VIEW



METRIC DIMENSIONS ARE IN MM (SHOWN IN GREEN)

Copyright 2006, Portage Electric Products, Incorporated, all right reserved

**A snap-action thermostat/thermal protector with the highest contact ratings of any of our controls. Suitable for use on 120/240 VAC loads. Available with variety of bi-metallic elements to enhance performance characteristics.**

## FEATURES

- Conductive bimetal construction; the bimetallic element carries the circuit current for maximum sensitivity under short circuit conditions.
- Snap-action device; quick make/quick break switching action.
- Temperature differential between opening and closing can vary from 20°C to 70°C depending upon the no-load calibration temperature.
- Preset calibration temperature; not adjustable in the field.
- Case electrically alive; insulating sleeving is available.

## CONTACT RATINGS

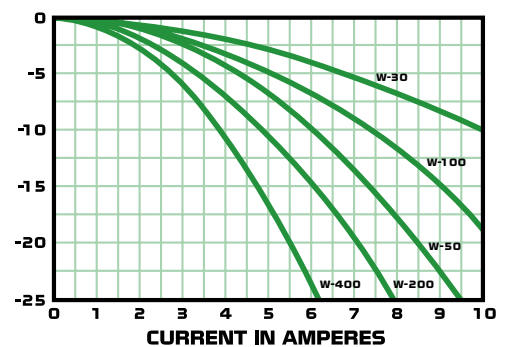
- 20 amps/120 volts AC resistive
- 10 amps/240 volts AC resistive
- VDE certified

NOTE: SPECIAL SLEEVING AND STAMPING REQUIRED

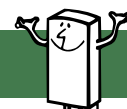
## CALIBRATION TEMPERATURE RANGE

- Available with nominal calibration temperatures from 90°C to 150°C.

## CURRENT DERATING CURVE



*We come through when the heat is on™*



**Pepi®**

**Portage Electric Products, Inc.**